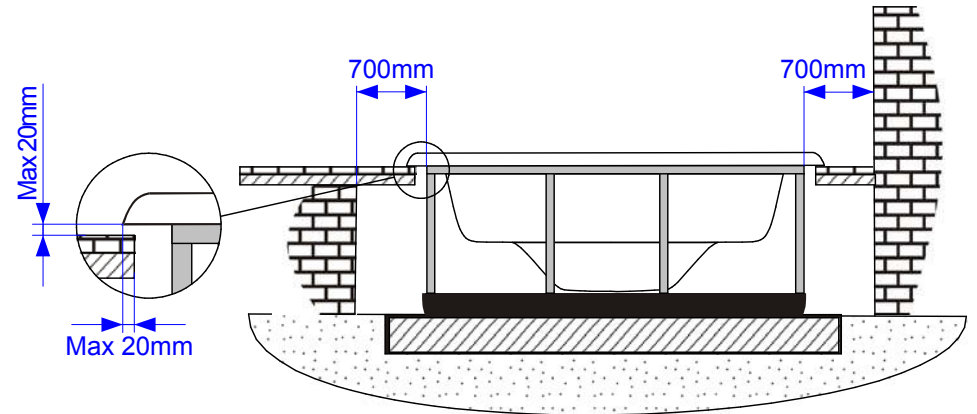


WARNING:
It's essential to keep a minimum clearance access of 2'-3 1/2" all around.



↑ ↑
HYDRAULIC CONNECTIONS ACCESS

DRAWN OLEG DIODOROV	2018-06-06			
CHECKED				
QA		TITLE Sunrise Spa by Aquatica		
APPROVED		SIZE C	DWG NO	REV
		SCALE		SHEET 1 OF 1